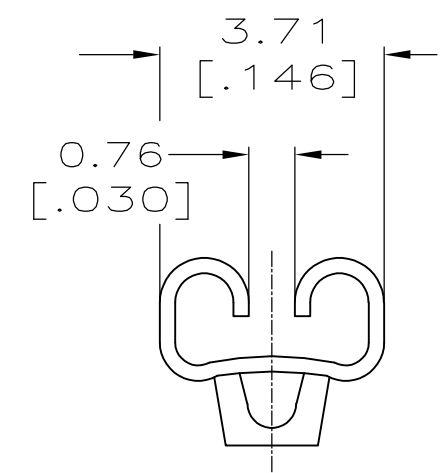
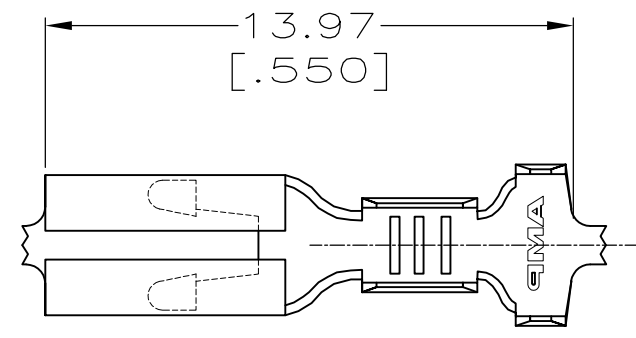


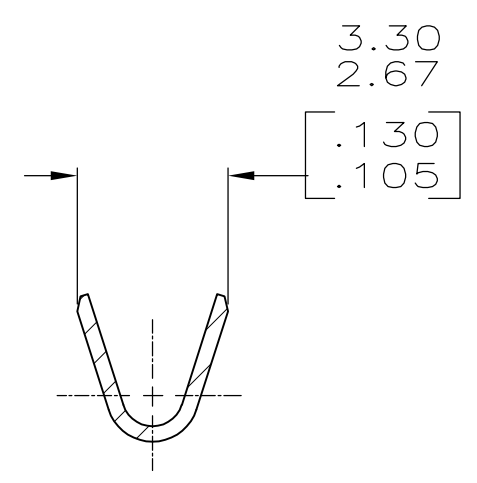
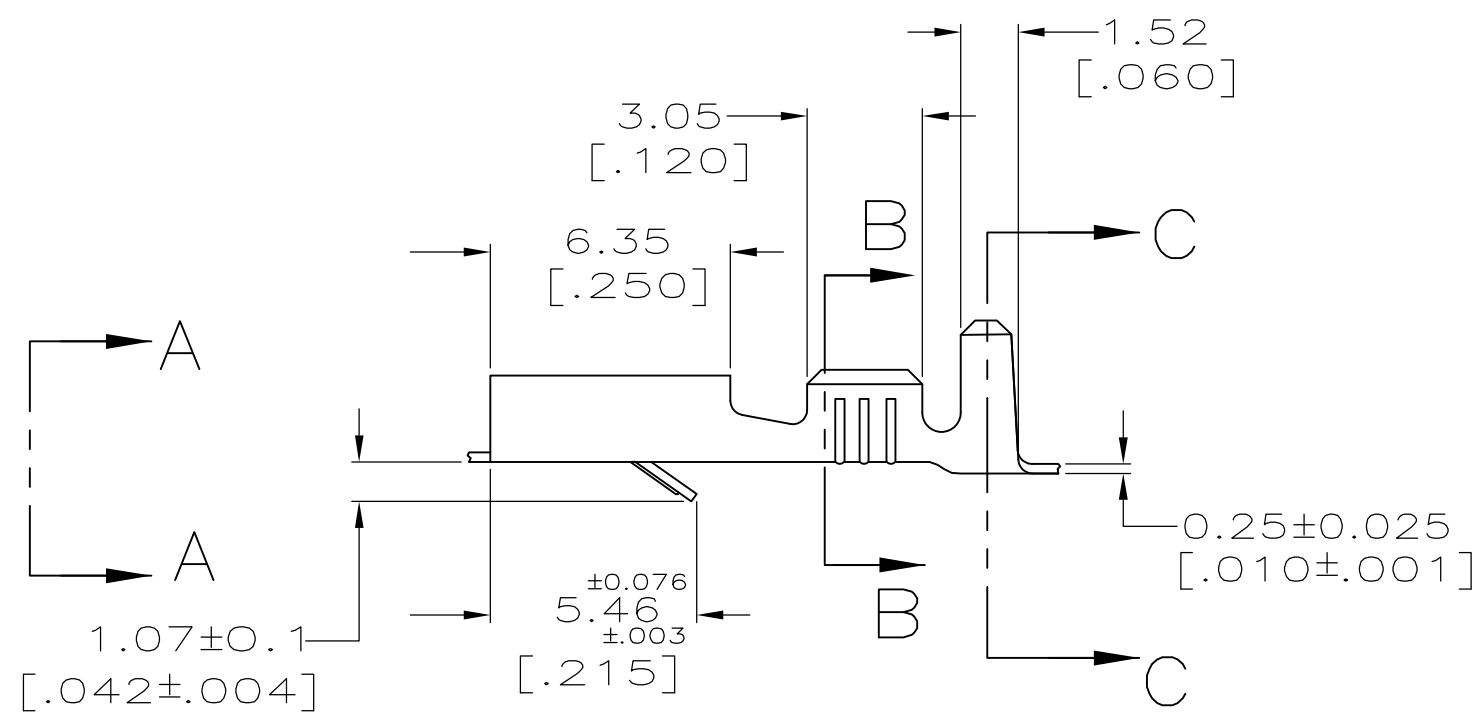
THIS DRAWING IS UNPUBLISHED. RELEASED FOR PUBLICATION
 © COPYRIGHT - By - ALL RIGHTS RESERVED.

LOC	DIST	REVISIONS			
P	LTR	DESCRIPTION	DATE	DWN	APVD
AF	50	P	REVISED PER ECR-13-005733	28AUG2013	KH PD

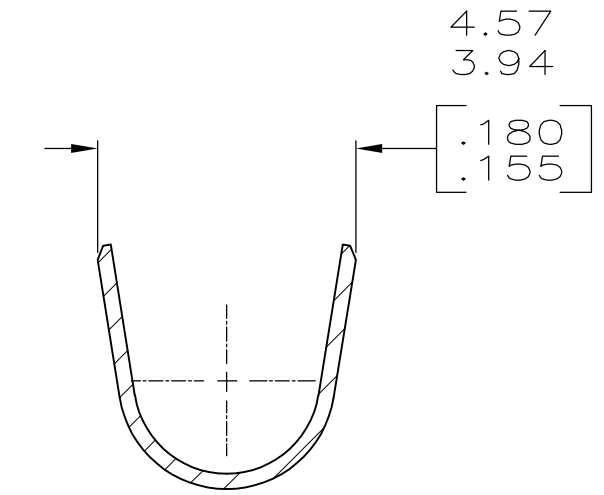


VIEW A-A
SCALE 8:1

- 1 CONTINUOUS STRIP ON REELS.
- 2 MATING TAB THK TO BE 0.81±0.025 [0.032±.001]
- 3 WIRE SIZE IS [#20-#16] AWG.
- 4 INSULATION RANGE IS 2.03-3.05 [0.080-.120] DIA.
- △5 0.002032 [0.000080] MIN TIN.
- △6 0.003810 [0.000150] MIN SILVER
- △8 PRELIMINARY - NOT FOR PRODUCTION



SECTION B-B
SCALE 8:1



SECTION C-C
SCALE 8:1

	PRE-TIN BRASS	62572-6
	BRASS-SILVER	△6 △8 62572-5
OBSOLETE	H04 BRASS - TIN	△5 62572-4
	T3 PHOS BRONZE - NONE	62572-2
	BRASS - NONE	62572-1
	MATERIAL - FINISH	PART NO.

THIS DRAWING IS A CONTROLLED DOCUMENT.		DWN	JR RUTH	13AUG99	TE Connectivity RECEPTACLE, FASTIN-FASTON, 2.79 [0.110] SERIES						
DIMENSIONS: mm [INCHES]		CHK	MS FEHER	13AUG99				NAME			
TOLERANCES UNLESS OTHERWISE SPECIFIED:		APVD	J GILLESPIE	13AUG99				PRODUCT SPEC			
0 PLC ± - 1 PLC ± - 2 PLC ± 0.38 [0.015] 3 PLC ± - 4 PLC ± - ANGLES ± -		APPLICATION SPEC		RESTRICTED TO							
MATERIAL	SEE TABLE	FINISH	SEE TABLE	WEIGHT	114-2065	SIZE	A3	CAGE CODE	00779	DRAWING NO	C-62572
CUSTOMER DRAWING						SCALE	5:1	SHEET	1 OF 1	REV	P